



Micro Style AC Plugs

Series Types: RKT/RKWT/RST

Micro Style, 12mm European AC: PVC Cable



- 250VAC, .5mm², IEC European AC standard
- Dual keyway, M12 threads
- IP68 NEMA 6P rating, UL and CSA
- PVC offers good resistance to oils and chemicals

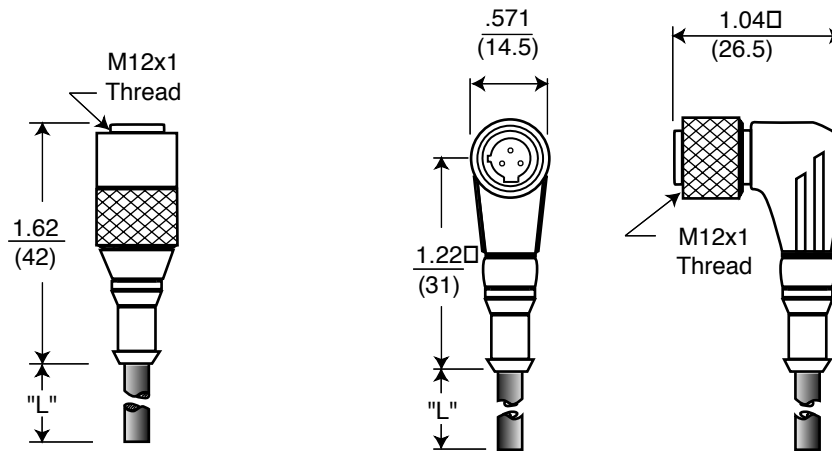
Order Information

Face View Female	
Poles	3
Color Code	1= Yellow/green (gnd) 2= Black 3= Blue
Current Rating	4A
Conductors	.5mm ²

Female Part Numbers

Straight	RKT 3U/12-19/xx
Right Angle	RKWT 3U/12-19/xx

Dimensional Data



STRAIGHT FEMALE
 PLUG
 RKT

RIGHT-ANGLE FEMALE
 PLUG
 RKWT

Technical Data

1. Application Class:	HNE acc. to DIN 40040 -40°C to + 90°C	Dielectric Withstanding Voltage:	2 KVAC RMS/60 seconds
2. Materials:		Insulation Resistance:	>10 ⁹ Ω
Molded Body:	PUR (Polyurethane)	5. Cable:*	
Contact:	Copper alloy, gold over nickel plating	.50mm ² Conductor:	PVC,Hi-Flex bare, 16x.20mm copper stranding, orange jacket.
Cable:	PVC, self-extinguishing, orange	6. Agency Approvals:	
Coupling Nut:	Brass, nickel plated	UL Recognition:	E104696
Insert:	PUR	CSA Certified:	LR101546-1
3. Mechanical Data:		* Reference pages H3-H6 for additional cable specifications	
Protection:	IP68, NEMA 6P (only in fully locked position)		
Shock:	IEC 68-2-27		
Vibration:	IEC 68-2-6		
4. Electrical Data:			
Contact Resistance:	≤5mΩ		
Current Rating:	4A		
Working Voltage:	250VAC		

Cable Lengths & Options

xx - Standard cable available in 2 meter (2M), 5 meter (5M), and 10 meter (10M) lengths.

Consult factory for special cable lengths. Customer supplied cable and optional cable types can be produced. Consult Application Engineering Department with your exact requirements.