



Micro Style AC Plugs

Series Types: RKT/RKWT/RST

Micro Style AC, Dual Key: Irradiated PVC Cable



- 250VAC, 22AWG, automotive color code
- Dual keyway, 1/2-20 threads
- IP68 NEMA 6P rating, UL and CSA
- Irradiated PVC offers excellent resistance to oils, chemicals and weld flash

Order Information

Face View Female/Male	
Poles	3
Color Code	1 = Green 2 = Red/black 3 = Red/white
Current Rating	3A
Conductors	3/22AWG

Female Part Numbers

Straight	RKT 3U-125/xx
Right Angle	RKWT 3U-125/xx
Mating Male Receptacle	RSF 3U/1F

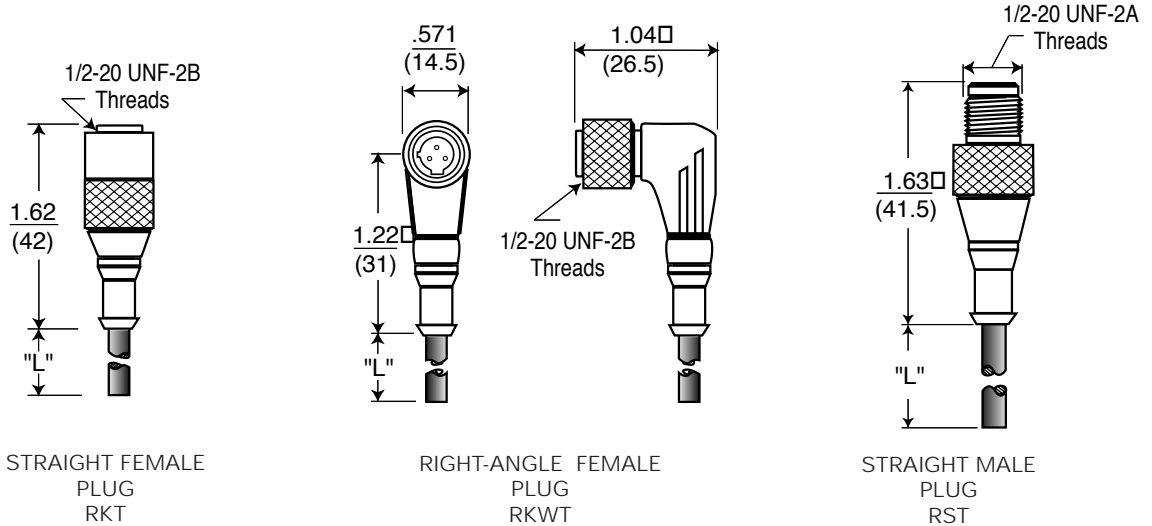
Male Part Numbers

Straight	RST 3U-125/xx *
Right Angle	RSWT 3U-125/xx *
Mating Female Receptacle	RKF 3U/1F

xx=cable lengths; see next page

* Consult factory for lead times

Dimensional Data



Technical Data

1. Application Class:	HNE acc. to DIN 40040 40°C to + 90°C	Dielectric Withstanding Voltage:	2 KVAC RMS/60 seconds
2. Materials:	Molded Body: PUR (Polyurethane) Contact: Copper alloy, gold over nickel plating	Insulation Resistance:	>10 ⁹ Ω
	Coupling Nut: Brass, nickel plated Insert: PUR	5. Cable:*	22AWG Conductor: Irradiated PVC, Hi-Flex bare, 19x0.15mm copper stranding, yellow jacket
3. Mechanical Data:	Protection: IP68, NEMA 6P (only in fully locked position)	6. Agency Approvals:	UL Recognition: E104696 CSA Certified: LR101546-1
	Shock: IEC 68-2-27 Vibration: IEC 68-2-6	* Reference pages H3-H6 for additional cable specifications	
4. Electrical Data	Contact Resistance: ≤5mΩ Current Rating: 3A Working Voltage: 250VAC		

Cable Lengths & Options

xx - Standard cable available in 6' (6F), 12' (12F), 15' (15F) and 20' (20F) lengths.

Consult factory for special cable lengths. Customer supplied cable and optional cable types can be produced. Consult Application Engineering Department with your exact requirements.