



Micro Style Inserts

Series Types: RSE...U

Micro Style Male Inserts: AC

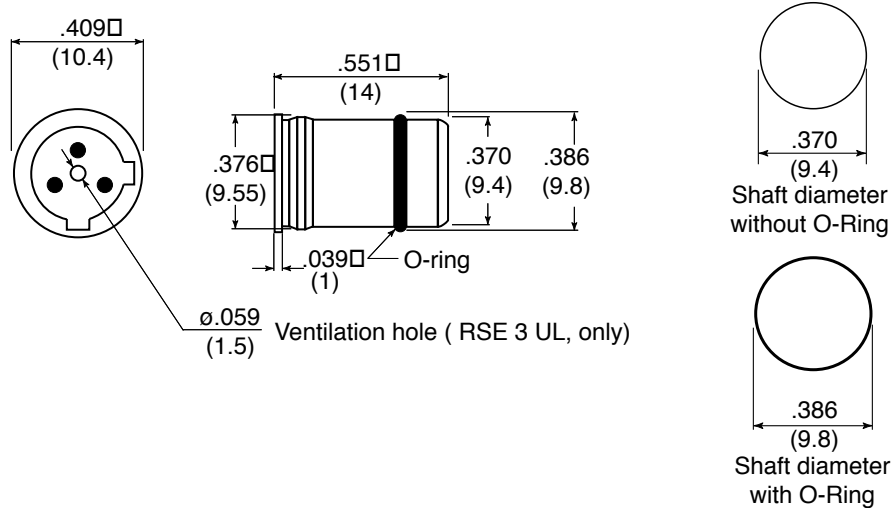


- U.S. Standard AC, dual keyway
- Solder contacts
- Viton o-ring seal
- Ideal for OEM applications

Order Information

Face View Male				
Poles	3	3 (Ventilated)	4	5
Insert	RSE 3U	RSE 3UL	RSE 4U	RSE 5U

Dimensional Data



Technical Data

1. Application Class: HNE acc. to DIN 40040
-25°C to +110°C
2. Materials:
 - Contact: Copper alloy, gold over nickel plating
 - O-Ring for Receptacle: Viton
 - Insert: Nylon
3. Mechanical Data:
 - Protection: IP68, NEMA 6P (only in fully locked position)
4. Electrical Data:
 - Contact Resistance: $\leq 5\text{m}\Omega$
 - Current Rating: 3A
 - Working Voltage: 250V
 - Dielectric Withstanding Voltage: 2 KVAC RMS/60sec
5. Agency Approvals:
 - UL Recognition: E104696
 - CSA Certified: LR101546-1