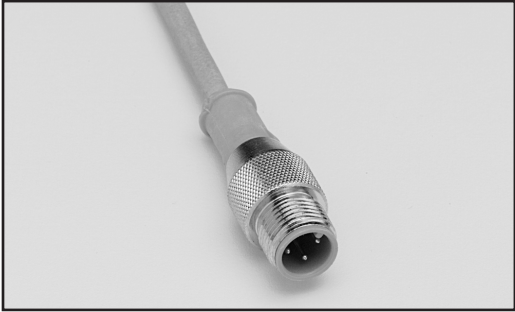




Micro Style DC Plugs

Series Types: RKT/RKWT/RST/RSWT

Micro Style DC, Single Keyway: Irradiated PVC Cable



- 250VDC, ≈ 22AWG, European color code
- Single keyway, M12 threads
- IP68 NEMA 6P rating, UL and CSA
- Irradiated PVC offers excellent resistance to oils, chemicals and welding flash

Order Information

Face View Female/Male		
Poles	4 pole, 3 wire	4
Color Code	1 = Brown 3 = Blue 4 = Black	1 = Brown 2 = White 3 = Blue 4 = Black
Current Rating	3A	3A
Conductors	3/.34mm ²	4/.34mm ²

Female Part Numbers

Straight	RKT 4/3-31/xx	RKT 4-29/xx
Right Angle	RKWT 4/3-31/xx	RKWT 4-29/xx
Mating Male Receptacle	RSF 4/0.5M	RSF 4/0.5M

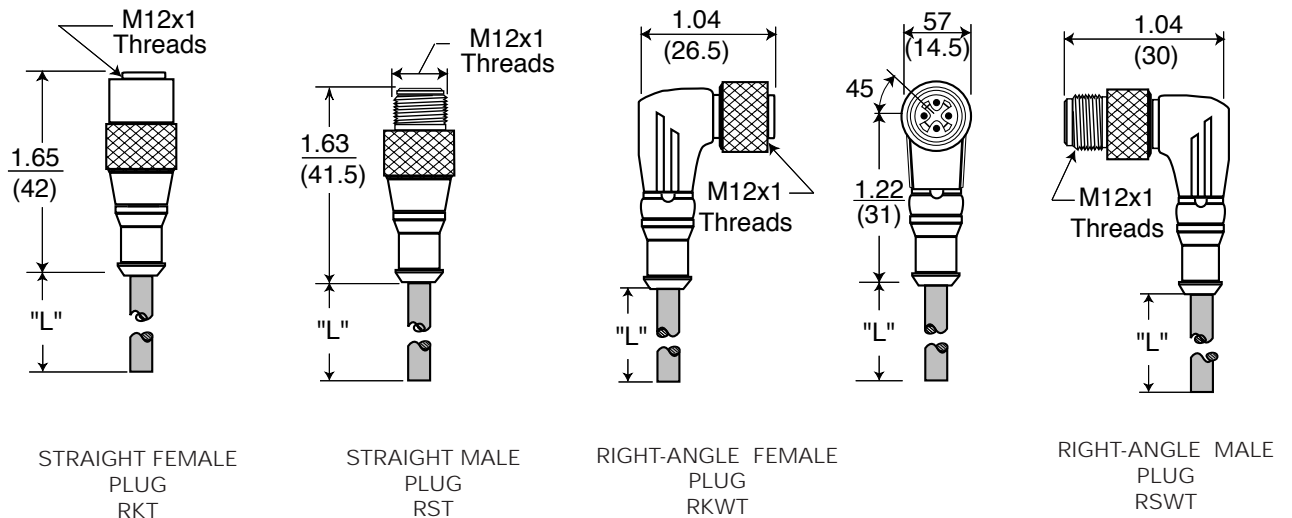
xx=cable lengths; see next page

Male Part Numbers

* Consult factory for lead times

Straight	RST 3-31/xx *	RST 4-29/xx *
Right Angle	RSWT 3-31/xx *	RSWT 4-29/xx *
Mating Female Receptacle	RKF 3/0.5M	RKF 4/0.5M

Dimensional Data



Technical Data

1. Application Class:	HNE acc. to DIN 40040 -40°C to + 90°C	Dielectric Withstanding Voltage:	2 KVAC RMS/60 seconds
		Insulation Resistance:	>109Ω
2. Materials:		5. Cable:*	
Molded Body:	PUR (Polyurethane)	.34mm ² Conductor:	Irradiated PVC, Hi-Flex bare, 19x0.15mm, copper stranding, orange jacket.
Cable:	Contact: Copper alloy, gold over nickel plating		
Coupling Nut:	Irradiated PVC, self-extinguishing, orange	6. Agency Approvals:	
Insert:	Brass, nickel plated	UL Recognition:	E104696
	PUR	CSA Certified:	LR101546-1
3. Mechanical Data:		* Reference pages H3-H6 for additional cable specifications	
Protection:	IP68, NEMA 6P (only in fully locked position)		
Shock:	IEC 68-2-27		
Vibration:	IEC 68-2-6		
4. Electrical Data			
Contact Resistance:	≤5mΩ		
Current Rating:	3A		
Working Voltage:	250VDC		

Cable Lengths & Options

xx - Standard cable available in 2 meter (2M), 5 meter (5M) and 10 meter (10M) lengths.

Consult factory for special cable lengths. Customer supplied cable and optional cable types can be produced. Consult Application Engineering Department with your exact requirements.