



# Micro Style DC Plugs

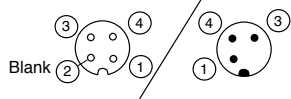
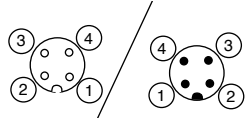
Series Types: RKT/RKWT/RST/RSWT

## Micro Style DC, Single Keyway: PVC Cable



- 250VDC, 18AWG, European color code
- Single keyway, M12 threads
- IP68 NEMA 6P rating, UL and CSA
- PVC offers good resistance to oils and chemicals

### Order Information

Face View Female/Male		
Poles	4 pole, 3 wire	4
Color Code	1 = Brown 3 = Blue 4 = Black	1 = Brown 2 = White 3 = Blue 4 = Black
Current Rating	4 A	4 A
Conductors	3/18AWG	4/18AWG

### Female Part Numbers

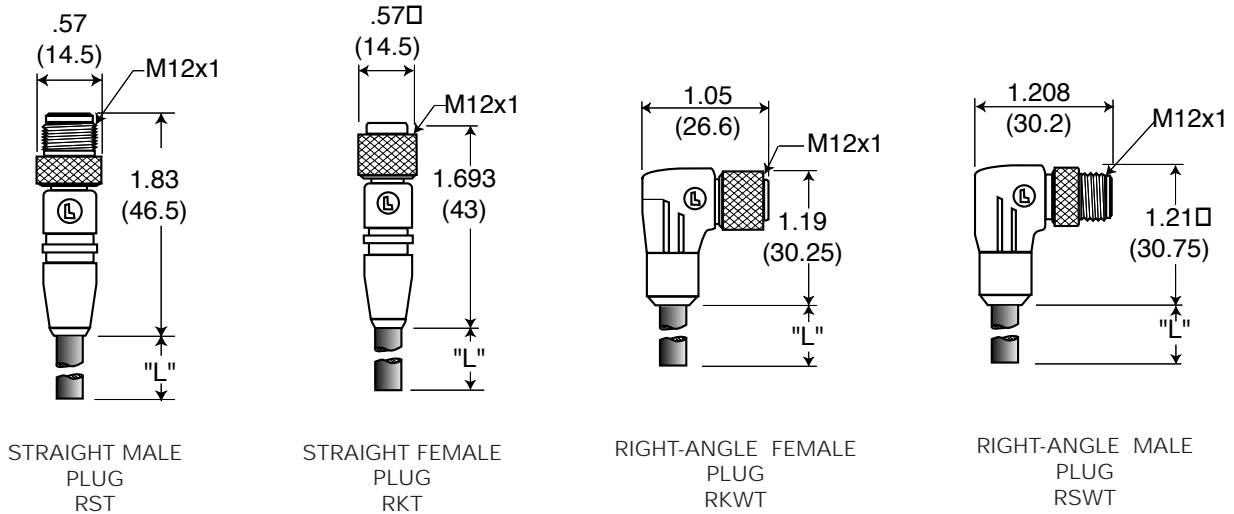
Straight	RKT 4/3-695/xx	RKT 4-693/xx
Right Angle	RKWT 4/3-695/xx	RKWT 4-693/xx
Mating Male Receptacle	RSF 3/0.5M	RSF 4/0.5M

### Male Part Numbers

xx=cable lengths; see next page

Straight	RST 3-695/xx	RST 4-693/xx
Right Angle	RSWT 3-695/xx	RSWT 4-693/xx
Mating Female Receptacle	RKF 4/3/0.5M	RKF 4/0.5M

## Dimensional Data



## Technical Data

1. Application Class:	HNE acc. to DIN 40040 -40°C to + 90°C	Dielectric Withstanding Voltage:	2 KVAC RMS/60 seconds
2. Materials:		Insulation Resistance:	>10 <sup>9</sup> Ω
Molded Body:	PUR (Polyurethane)	5. Cable:*	
Contact:	Copper alloy, gold over nickel plating	18 AWG Conductor:	UL-AWM 2661; Hi-Flex bare, 41x34 copper stranding, yellow jacket.
Cable:	PVC, self-extinguishing, yellow	6. Agency Approvals:	
Coupling Nut:	Brass, nickel plated	UL Recognition:	E104696
Insert:	PUR	CSA Certified:	LR101546-1
3. Mechanical Data:		* Reference pages H3-H6 for additional cable specifications	
Protection:	IP68, NEMA 6P (only in fully locked position)		
Shock:	IEC 68-2-27		
Vibration:	IEC 68-2-6		
4. Electrical Data			
Contact Resistance:	≤5mΩ		
Current Rating:	4A		
Working Voltage:	250VDC		

## Cable Lengths & Options

xx - Standard cable available in 2 meter (2M), 5 meter (5M) and 10 meter (10M) lengths.

Consult factory for special cable lengths. Customer supplied cable and optional cable types can be produced. Consult Application Engineering Department with your exact requirements.