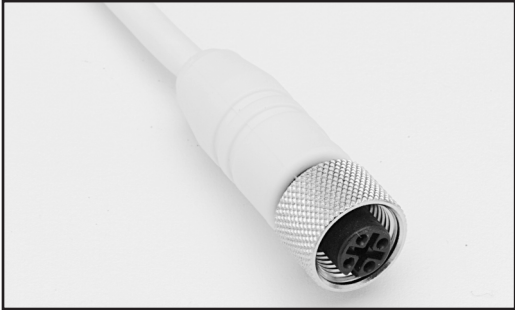




Micro Style DC Plugs

Series Types: RKT/RKWT/RST/RSWT

Micro Style DC, Single Keyway: PVC Cable



- 250VDC, 22AWG, European color code
- Single keyway, M12 threads
- IP68 NEMA 6P rating, UL and CSA
- PVC offers good resistance to oils and chemicals

Order Information

Face View Female/Male			
Poles	4 pole, 3 wire	4	5
Color Code	1 = Brown 3 = Blue 4 = Black	1 = Brown 2 = White 3 = Blue 4 = Black	1 = Brown 2 = White 3 = Blue 4 = Black 5 = Gray
Current Rating	3A	3A	3A
Conductors	3/22AWG	4/22AWG	5/22AWG

Female Part Numbers

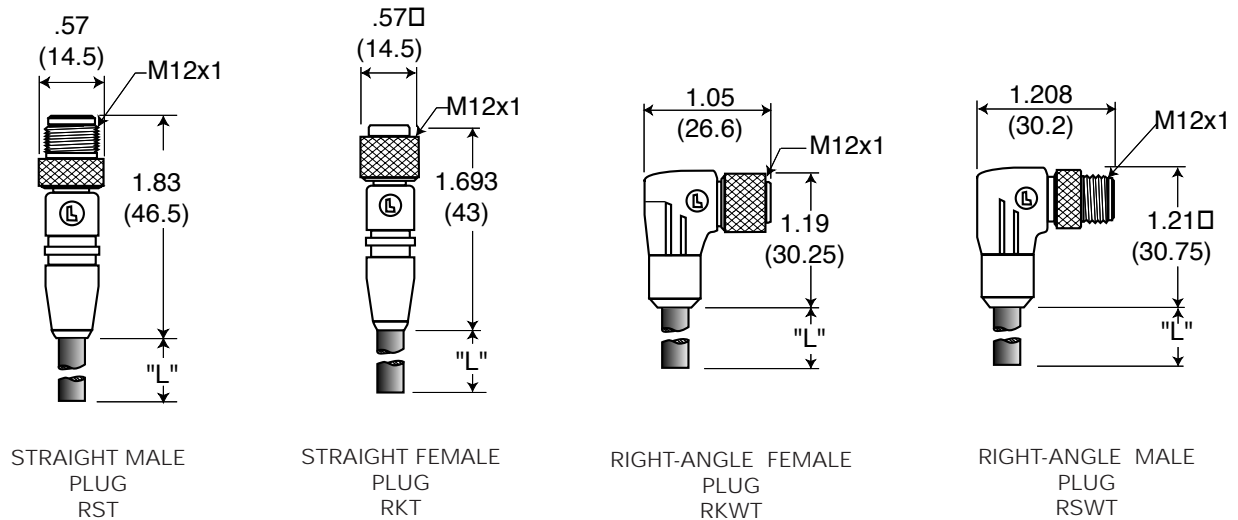
Straight	RKT 4/3-632/xx	RKT 4-633/xx	RKT 5-612/xx
Right Angle	RKWT 4/3-632/xx	RKWT 4-633/xx	RKWT 5-612/xx
Mating Male Receptacle	RSF 3/0.5M	RSF 4/0.5M	RSF 5/0.5M

Male Part Numbers

xx=cable lengths; see next page

Straight	RST 3-632/xx	RST 4-633/xx	RST 5-612/xx
Right Angle	RSWT 3-632/xx	RSWT 4-633/xx	RSWT 5-612/xx
Mating Female Receptacle	RKF 4/3/0.5M	RKF 4/0.5M	RKF 5/0.5M

Dimensional Data



Technical Data

1. Application Class:	HNE acc. to DIN 40040 -40°C to + 90°C	Dielectric Withstanding Voltage:	2 KVAC RMS/60 seconds
2. Materials:		Insulation Resistance:	>10 ⁹ Ω
Molded Body:	PUR (Polyurethane)	5. Cable:*	
Cable:	PVC, self-extinguishing, yellow	22 AWG Conductor:	UL-AWM 2661; Hi-Flex bare, 26x36 copper stranding, yellow jacket.
Coupling Nut:	Brass, nickel plated	6. Agency Approvals:	
Insert:	PUR	UL Recognition:	E104696
3. Mechanical Data:		CSA Certified:	LR101546-1
Protection:	IP68, NEMA 6P (only in fully locked position)	* Reference pages H3-H6 for additional cable specifications	
Shock:	IEC 68-2-27		
Vibration:	IEC 68-2-6		
4. Electrical Data			
Contact Resistance:	≤5mΩ		
Current Rating:	3A		
Working Voltage:	250VDC		

Cable Lengths & Options

xx - Standard cable available in 2 meter (2M), and 5 meter (5M) and 10 meter (10M) lengths.

Consult factory for special cable lengths. Customer supplied cable and optional cable types can be produced. Consult Application Engineering Department with your exact requirements.