



# Mini Style Connectors

Series Types: RK/RKW/RS/RSW

## Mini Style Automotive Color Code : STOW-A Cable



- 600V, 16AWG, automotive color code
- 7/8-16 threads; internal (plugs), external (receptacle)
- IP68, NEMA 6P rating, UL and CSA
- STOW-A offers good resistance to oils and chemicals

### Order Information

Face View Female/Male		
Poles	3	5
Color Code	1 = Green (gnd) 2 = Red w/black 3 = Red w/white	1 = Red w/white 2 = Red 3 = Green (gnd) 4 = Red w/orange 5 = Red w/black
Current Rating	10A	8A
Conductors	3/16AWG	5/16AWG

### Female Part Numbers

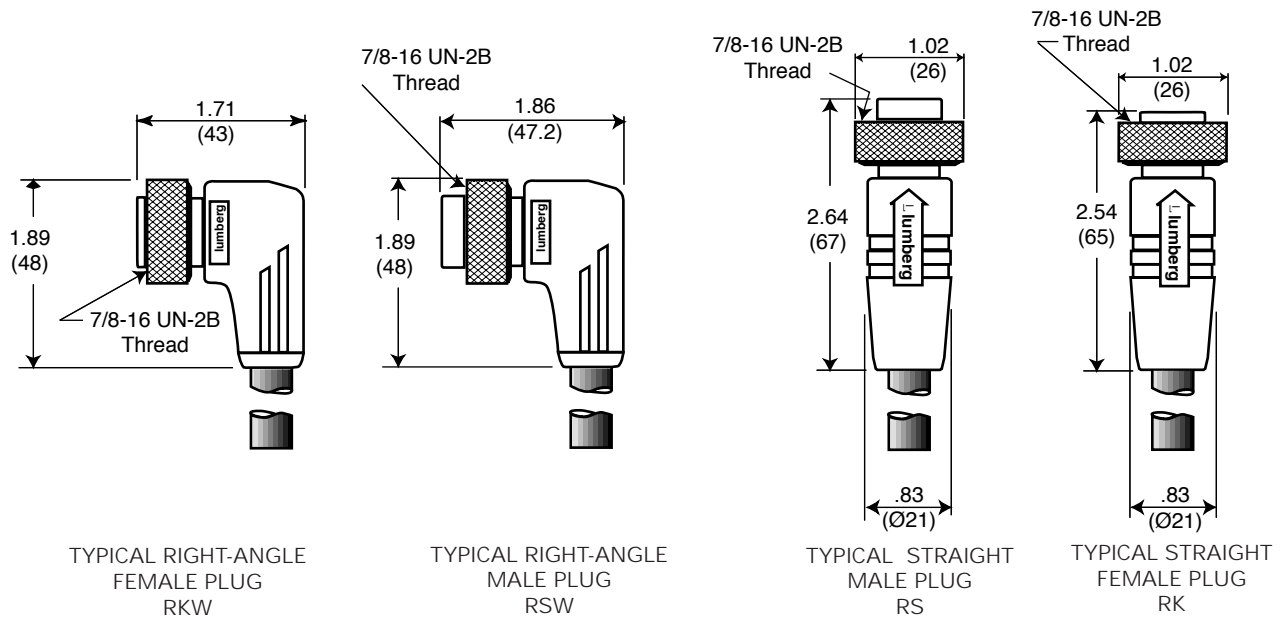
Straight	RK 30-641/xx	RK 50-642/xx
Right Angle	RKW 30-641/xx	RKW 50-642/xx
Mating Male Receptacle	RSF 30-641/1F	RSF 50-642/1F

### Male Part Numbers

xx=cable lengths; see next page

Straight	RS 301-641/xx	RS 501-642/xx
Right Angle	RSW 301-641/xx	RSW 501-642/xx
Mating Female Receptacle	RKF 301-641/1F	RKF 501-642/1F

## Dimensional Data



## Technical Data

1. Application Class:	-40°C to +90°C	4. Electrical Data:	
2. Materials:		Contact Resistance:	≤5mΩ
Body:	PUR, yellow	Current Rating:	See chart on previous page
Contact:	Solid-machined brass Gold over silver plating	Working Voltage:	16 AWG Cable: 600 VAC RMS
Insert:	PUR	Dielectric Withstanding Voltage:	3 pole _ 2 KVAC RMS/60sec 5 pole _ 1.5 KVAC RMS/60sec.
Coupling Nut:	Standard: aluminum (black anodized). Options: nylon (glass reinforced black); stainless steel (passivated)	Insulation Resistance:	>10 <sup>9</sup> Ω
3. Mechanical Data:		5. Cable:*	
Protection:	IP68, NEMA 6P (only in fully locked position)	16 AWG Conductor:	UL-STOW-A; Hi-Flex bare, 65x34 copper stranding, yellow jacket.
Insertion Force:	≤3.0N .67 LBS	6. Agency Approvals:	
Withdrawal Force:	≥1.0N .22 LBS	UL Recognition:	E104696
Shock:	IEC 68-2-27	CSA Certified:	LR101546-1
Vibration:	IEC 68-2-6	* Reference pages H3-H6 for additional cable specifications	

## Cable Lengths & Options

xx - Standard cable available in 3' (3F), 6' (6F), 12' (12F), 15' (15F) and 20' (20F) lengths.

Consult factory for special cable lengths. Customer supplied cable and optional cable types can be produced. Consult Application Engineering Department with your exact requirements.

Closure caps and threaded adapters available; see page F1.