



Mini Style Connectors

Series Types: RK/RKW/RS/RSW

Mini Style DC Color Code: PVC Cable



- 300V, 18AWG, European (IEC) color code
- 7/8-16 threads; internal (female), external (male)
- IP68, NEMA 6P rating, UL and CSA
- PVC offers good resistance to oils and chemicals

Order Information

Face View Female/Male				
Poles	2	3	4	5
Color Code	1= Brown 2= Blue	1= Brown 2= Black (gnd) 3= Blue	1=Brown 2=White 3=Blue 4=Black (gnd)	1=Black 4=Brown 2=Blue 5=White 3=Yellow/green (gnd)
Current Rating	12A	8A	5.6A	5.6A
Conductors	2/18AWG	3/18AWG	4/18AWG	5/18AWG

Female Part Numbers

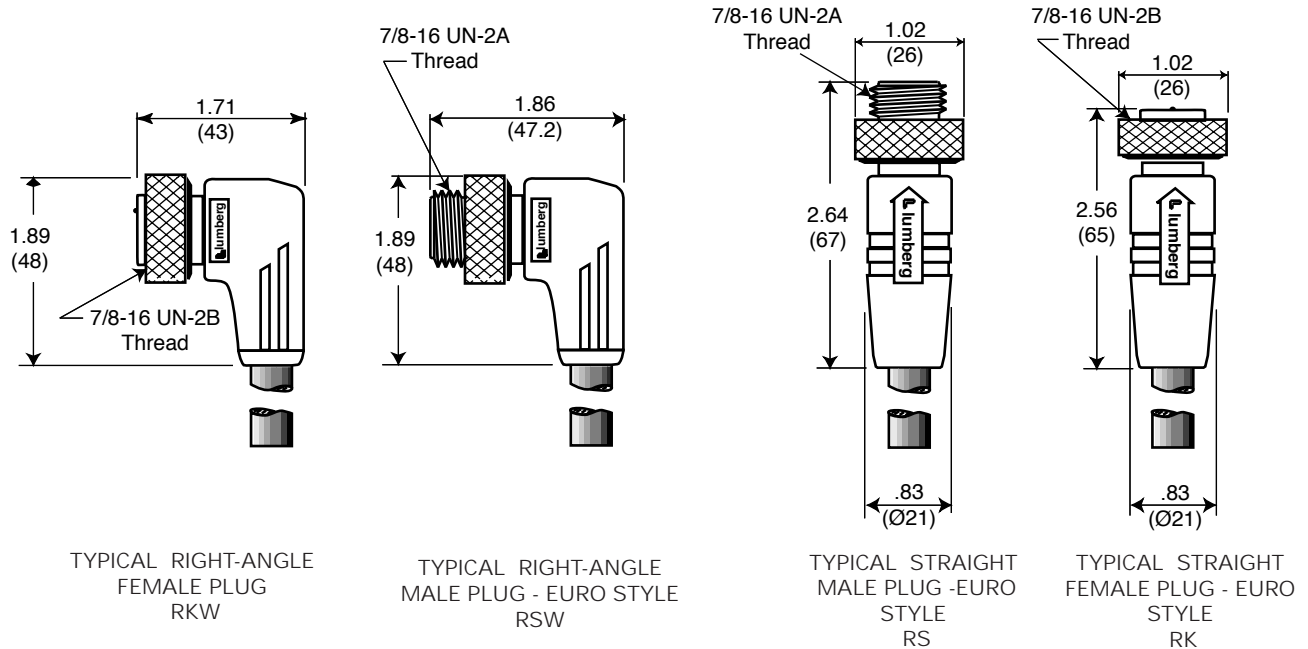
Straight	RK 20-603/xx	RK 30-695/xx	RK 40-693/xx	RK 50-694/xx
Right Angle	RKW 20-603/xx	RKW 30-695/xx	RKW 40-693/xx	RKW 50-694/xx
Mating Male Receptacle	RSF 20-603/0.3M	RSF 30-695/0.3M	RSF 40-693/0.3M	RSF 50-694/0.3M

Male Part Numbers

xx = cable lengths; see next page

Straight	RS 20-603/xx	RS 30-695/xx	RS 40-693/xx	RS 50-694/xx
Right Angle	RSW 20-603/xx	RSW 30-695/xx	RSW 40-693/xx	RSW 50-694/xx
Mating Female Receptacle	RKF 20-603/0.3M	RKF 30-695/0.3M	RKF 40-693/0.3M	RKF 50-694/0.3M

Dimensional Data



Technical Data

1. Application Class:	-40°C to +90°C	4. Electrical Data:	
2. Materials:		Contact Resistance:	≤5mΩ
Body:	PUR, yellow	Current Rating:	See chart on previous page
Contact:	Solid-machined brass	Working Voltage:	18 AWG cable: 300 VAC-RMS
	Gold over silver plating	Dielectric Withstanding Voltage:	2 & 3 pole _ 2 KVAC RMS/60sec
Insert:	PUR		4 & 5 pole _ 1.5 KVAC RMS/60sec.
Coupling Nut:	Standard: aluminum (black anodized)	Insulation Resistance:	>10 ⁹ Ω
	Options: nylon (glass reinforced, black); stainless steel (passivated)	5. Cable: *	
3. Mechanical Data:		18 AWG Conductor:	UL-AWM 2661; Hi-Flex bare, 41x34 copper stranding, yellow jacket.
Protection:	IP68, NEMA 6P (in fully locked position)	6. Agency Approvals:	
Insertion Force:	≤3.0N .67 LBS	UL Recognition:	E104696
Withdrawal Force:	≥1.0N .22 LBS	CSA Certified:	LR101546-1
Shock:	IEC 68-2-27		
Vibration:	IEC 68-2-6	* Reference pages H3-H6 for additional cable specifications	

Cable Lengths & Options

xx - Standard cable available in 1 meter (1M), 2 meter (2M), and 5 meter (5M) lengths.

Consult factory for special cable lengths. Customer supplied cable and optional cable types can be produced. Consult Application Engineering Department with your exact requirements.

Closure caps available; see page F1.