



Mini Style Distribution Box

Series Types: ZVS

Mini Style Distribution Box: Parallel Wired with LED's



- Plug-n-play system with side mounted connectors
- 4, 6, and 8 outlets with LED's
- IP68, NEMA 6P ratings; UL and CSA
- Simplifies control wiring, eliminates long cable runs

Order Information

Outlets	4	6	8
Description	3 Pole Parallel Wired with LED for Power & Signal	3 Pole Parallel Wired with LED for Power & Signal	3 Pole Parallel Wired with LED for Power & Signal
Catalog Number	ZVS 4/LED-30	ZVS 6/LED-30	ZVS 8/LED-30

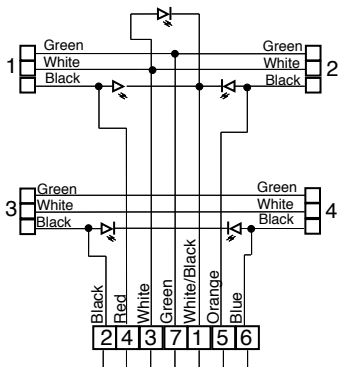
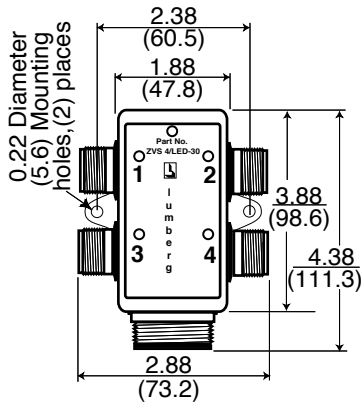
Control Cable Part Number

Mating Control Cable	7 Pole Mini RK 70-622/xx	9 Pole Mini RK 90M-623/xx	12 Pole mini RK120M-624/xx
----------------------	--------------------------	---------------------------	----------------------------

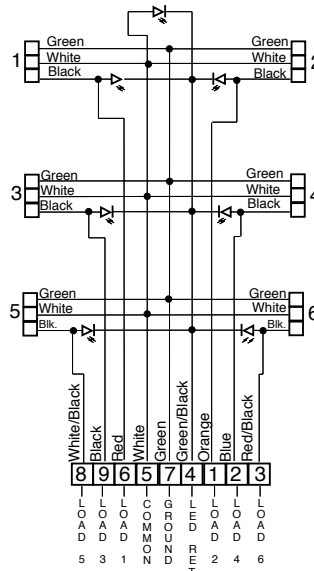
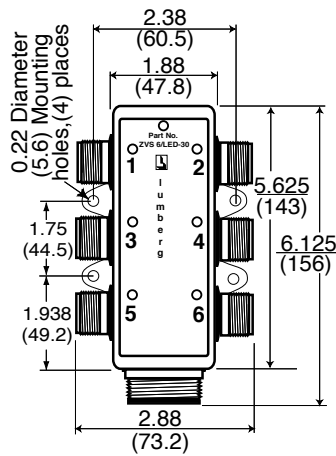
Note: See pages A38-A41 for Control Cable details

Dimensional Data

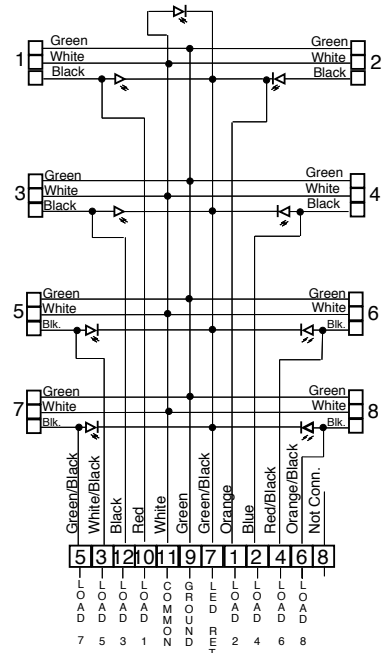
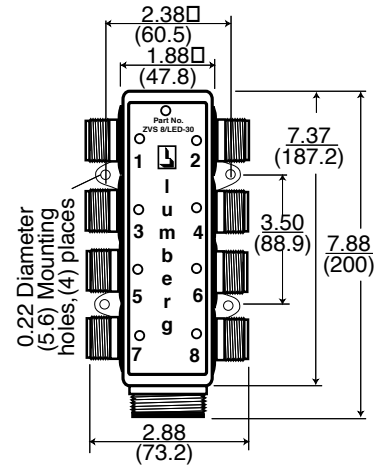
Drawing File Name:
[MIN16.DXF \(left\)](#)
[MIN17.DXF \(center\)](#)
[MIN18.DXF \(right\)](#)



4 OUTLET DISTRIBUTION BOX, 3 POLE with LED's



6 OUTLET DISTRIBUTION BOX, 3 POLE with LED's



8 OUTLET DISTRIBUTION BOX, 3 POLE with LED's

Technical Data

- | | |
|--|---|
| <p>1. Application Class: -15°C to +90°C</p> <p>2. Materials:
 Housing (ZVS): PET (Polyester), yellow
 Contact: Brass, gold over nickel plating
 Receptacle Shell: Anodized aluminum
 Insert: PUR (Polyurethane), Black
 O-Ring: Viton</p> <p>3. Mechanical Data:
 Protection: IP68, NEMA 6P (only in fully locked position)
 Shock: IEC-68-2-27
 Vibration: IEC-68-2-6</p> | <p>4. Electrical Data:
 Contact Resistance: ≤5mΩ
 Current Rating: ZVS 4=6A
 ZVS 6=7A
 ZVS 8=7A
 Working Voltage: 120VAC
 Insulation Resistance: >10⁹Ω</p> <p>5. Agency Approvals:
 UL Recognition: E104696
 CSA Certified: LR101546-1</p> |
|--|---|