



Pico Style Connectors

Series Types: RKMf/RSMF

Pico Style Euro Norm Receptacles



- Male and female receptacles for OEM applications
- Snap-in or locking design
- Euro norm DC (IEC) standard color code
- .25mm² PVC leads

Order Information

Face View Female/Male		
Poles	3	4
Color Code	1=Brown 3=Blue 4=Black	1=Brown 2=White 3=Blue 4=Black
Current Rating	4 A	4 A
Conductors	3/.25mm ²	4/.25mm ²

Female Part Numbers

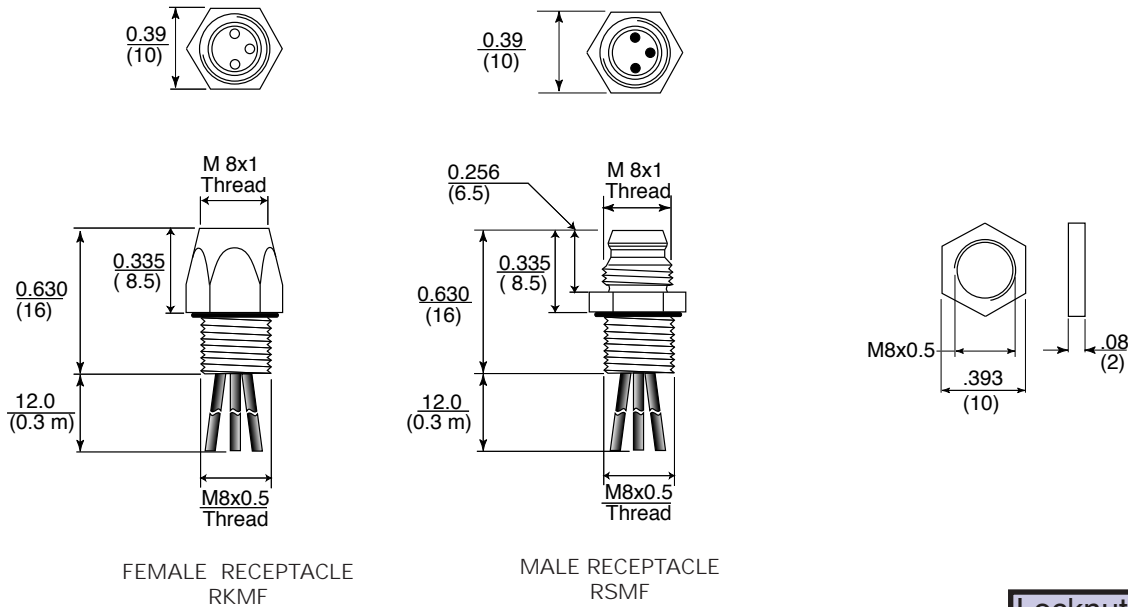
Straight	RKMf 3/0.3M*	RKMf 4/0.3M*
----------	--------------	--------------

Male Part Numbers

Straight	RSMF 3/0.3M**	RSMF 4/0.3M**
----------	---------------	---------------

* For locking style male plugs
 ** For snap-in and locking style female plugs

Dimensional Data



Technical Data

Receptacles require a 0.350" diameter hole for panel mounting.

**Locknut
 RSKF 8
 Sold Separately**

1. Application Class: HNE acc. to DIN 40040
 -25°C to + 90°C ≤75%rF
2. Materials:
 - Contact: Solid- machined brass, gold over nickel plating
 - Receptacle Shell: Brass, nickel plated
 - O-ring for Receptacle: Viton
 - Insert: PUR
3. Mechanical Data:
 - Protection: Snap-in - IP65, NEMA 4
 Locking - IP68, NEMA 6P (only in fully locked position)
4. Electrical Data:
 - Contact Resistance: ≤5mΩ
 - Current Rating: 4A
 - Working Voltage: 60VAC/75VDC
 - Dielectric Withstanding Voltage: 1.5 KVAC RMS/60 seconds
 - Insulation Resistance: >10⁹Ω

Lead Lengths & Options

Standard lead length is 0.3 meter (0.3M).

Use RSKF 8 locknut for mounting.