

T41MSS-(COLOR)BOM Table			
ITEM NO.	PART NUMBER	DESCRIPTION	QTY.
1	TN41MRB	Male Body(RD-4197-70)	1
2	T40MCO	15/16"MALE CONTACT(360 BRASS)	1
3	T41 Mount	.25"X.45" BRASS SLEEVE MOLDED TO BOOT	4
4	12X20X716	1/2"x20x7/16" stainless set screw	2
5	CW1406	Copper strain relief 6"x.065	1
6	CS1502	Copper shim 1.5"x3"x.005	2

PART#'S THIS PRINT REPRESENTS:

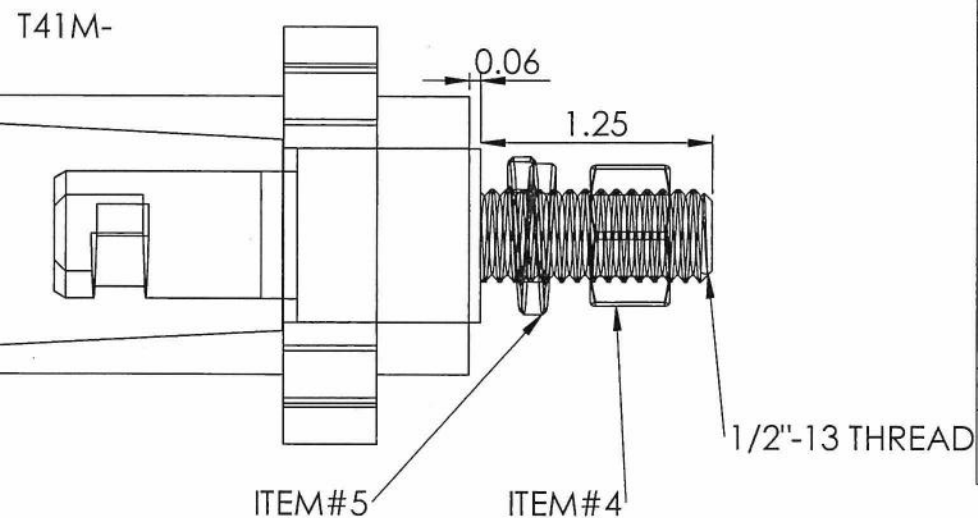
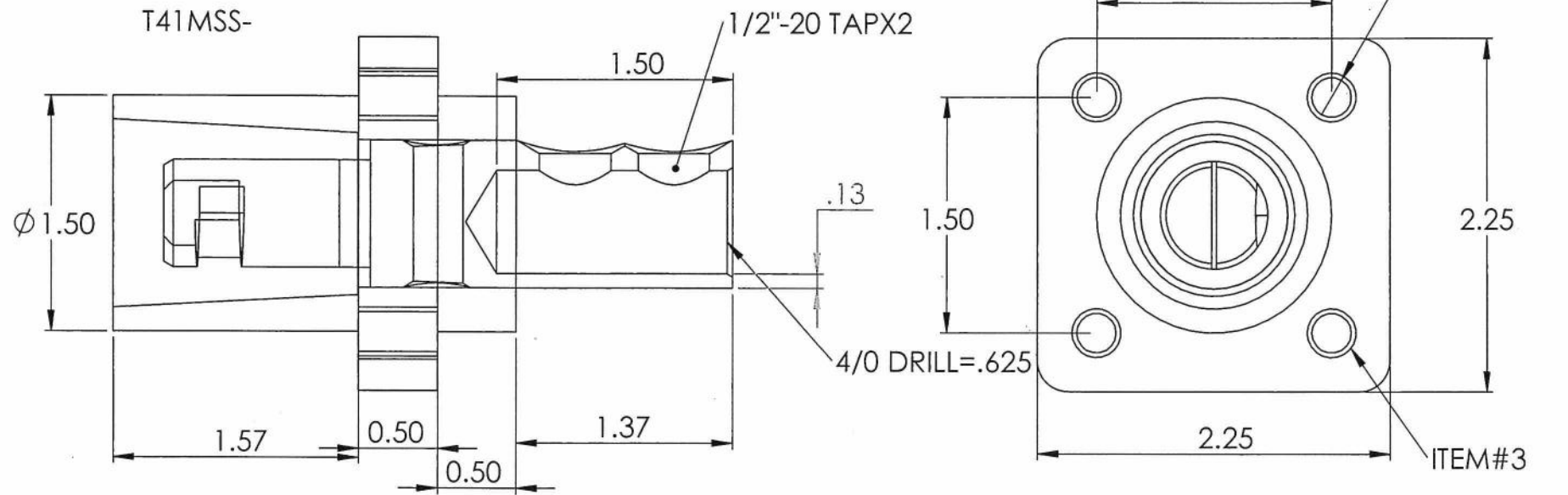
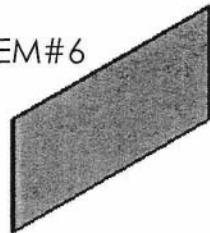
- T41MSS-BLK
- T41MSS-BLUE
- T41MSS-GRN
- T41MSS-RED
- T41MSS-WHT
- T41MSS-ORG "NEW COLOR"
- T41MSS-BRN "NEW COLOR"
- T41MSS-YLW "NEW COLOR"

T41MSS- CABLE RANGE 2/0-4/0  
 MAX:600 VOLTS 400 AMPS  
 RATING TYPE "4X"  
 TORQUE VALUE FOR 1/2"-20 SET SCREW @ 400IN/LBS

ITEM#4



ITEM#6



T41M-(COLOR) BOM Table			
ITEM NO.	PART NUMBER	DESCRIPTION	QTY.
1	TN41MRB	Male Body(RD-4197-70)	1
2	T41MCO STUD	7/8" MALE CONTACT(360 BRASS)	1
3	T41 Mount	.25"X.45" BRASS SLEEVE MOLDED TO BOOT	4
4	T41-NUT	1/2" X13 BRASS NUT	1
5	T41-WASHER	1/2"- BRONZE LOCK WASHER	1

(COLOR)  
 BLACK,BLUE,GREEN,RED  
 WHITE,ORANGE,BROWN,YELLOW

TITLE: T41M-(COLOR)  
 T41MSS-(COLOR)

SIZE DWG. NO. REV

**B** 5

SCALE: 1:2

SHEET 1 OF 1



# GLOBETRON

PART#'S THIS PRINT REPRESENTS:

- T41M-BLK
- T41M-BLUE
- T41M-GRN
- T41M-RED
- T41M-WHT
- T41M-ORG "NEW COLOR"
- T41M-BRN "NEW COLOR"
- T41M-YLW "NEW COLOR"

T41M- CABLE RANGE UP TO 4/0  
 MAX:600 VOLTS 400 AMPS  
 RATING TYPE "4X"  
 TORQUE VALUE FOR 1/2-13 NUT @ 400IN/LBS

ALL FACE DIMENSIONS & TOLERANCES  
 ARE THE SAME AS DWG.#1 AND COMPLY  
 WITH FIGURE B1.2 OF CSA C22.2 NO.1691-12  
 UL 1691