

T45FSS- BOM Table			
ITEM NO.	PART NUMBER	DESCRIPTION	QTY.
1	42896NS	Brass button	1
2	TN45FRB	Male body(RD-4197-70)	1
3	12X20X716	1/2"x20x7/16" stainless set screw	2
4	T41 Mount	.25"X.45" BRASS SLEEVE MOLDED TO BOOT	4
5	CS1502	Copper shim 1.5"x3"x.005	1
6	CW1406	Copper strain relief 6"x.065	1
7	T45FSS-brass	one piece female contact(360 brass)	1



GLOBETRON

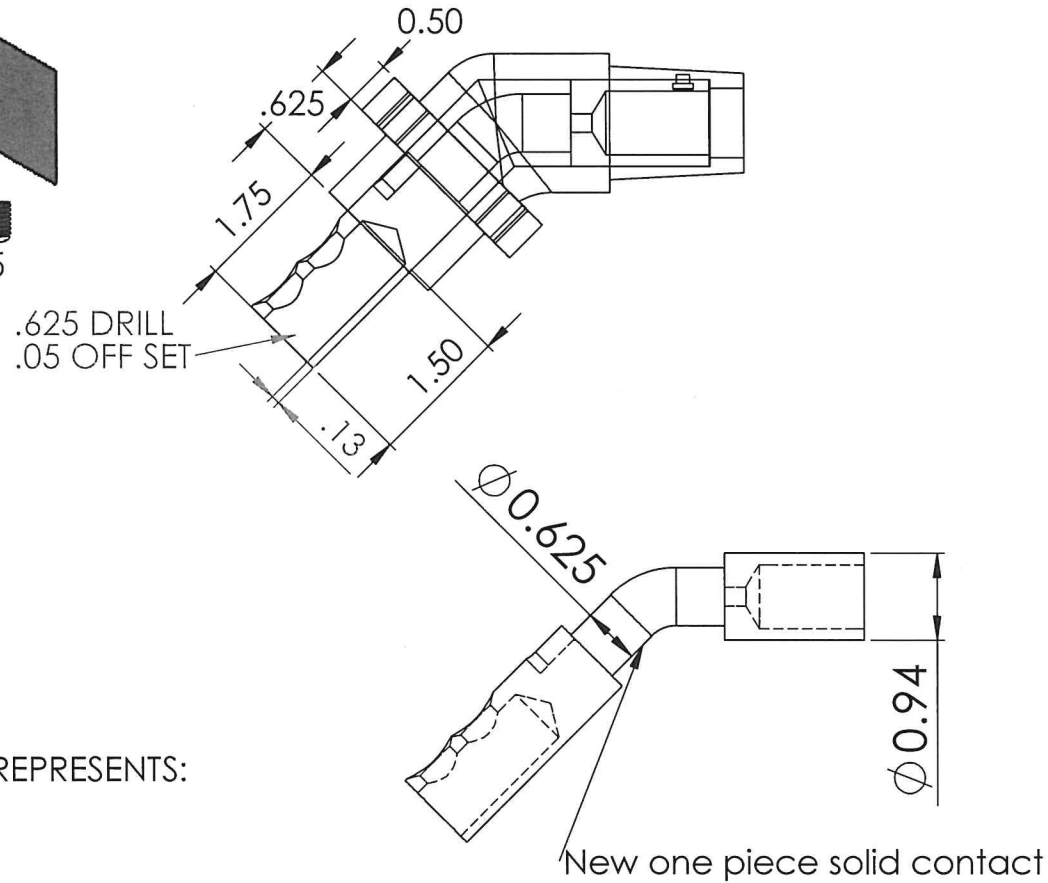
T45F- BOM Table			
ITEM NO.	PART NUMBER	DESCRIPTION	QTY.
1	42896NS	Brass button	1
2	TN45FRB	Male body(RD-4197-70)	1
3	T41-NUT	1/2" X13 BRASS NUT	1
4	T41-WASHER	1/2"- BRONZE LOCK WASHER	1
5	T41 Mount	.25"X.45" BRASS SLEEVE MOLDED TO BOOT	4
6	T45F-brass	one piece female contact(360 brass)	1

ALL FACE DIMENSIONS & TOLORANCES ARE THE SAME AS DWG#3 AND COMPLY WITH FIGURE B1.2 OF CSA C22.2 NO.1691-12, UL 1691

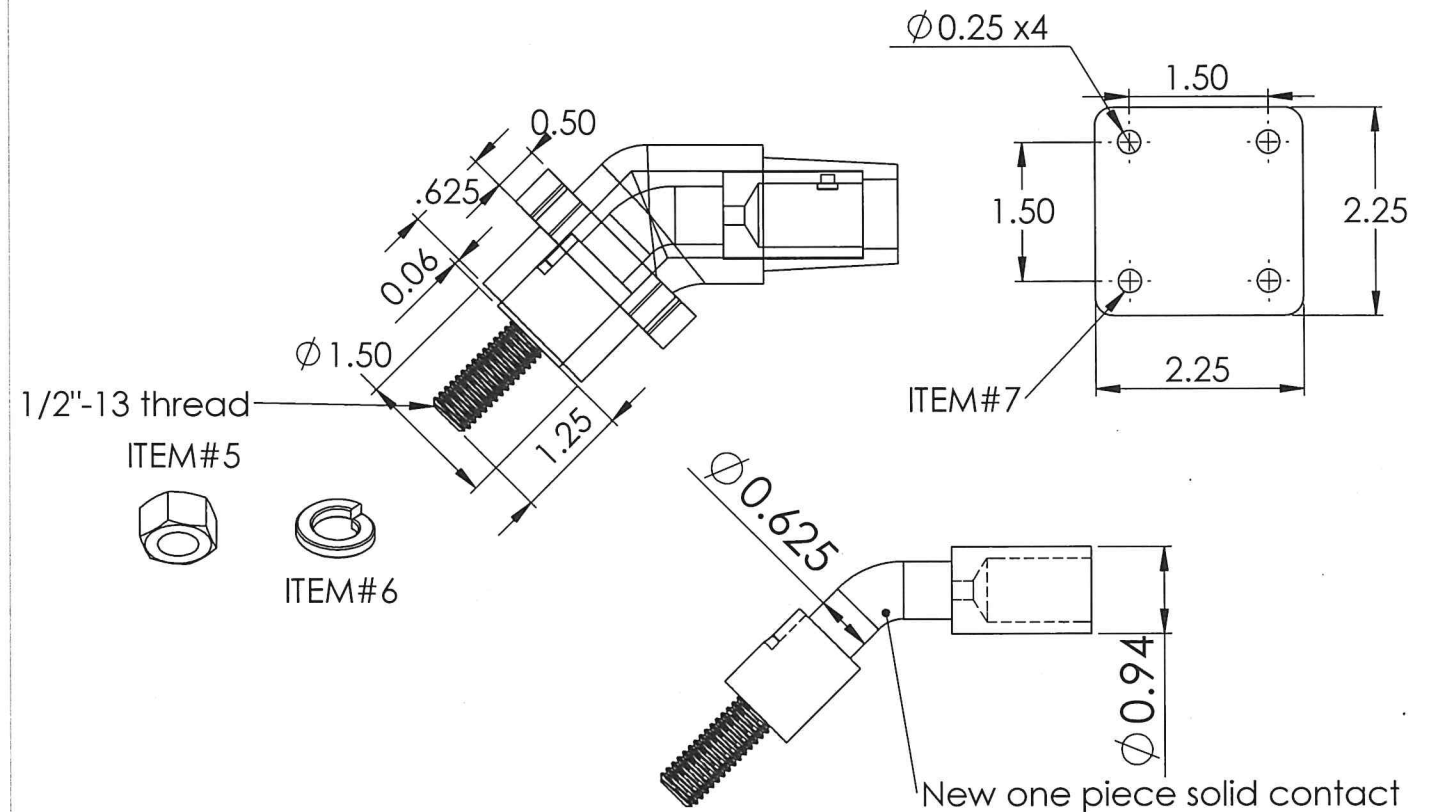
ITEM#8

ITEM#7

ITEM#5



PART#'S THIS PRINT REPRESENTS:
 T45FSS-BLK
 T45FSS-BLUE
 T45FSS-GRN
 T45FSS-RED
 T45FSS-WHT
 T45FSS-ORG "NEW COLOR"
 T45FSS-BRN "NEW COLOR"
 T45FSS-YLW "NEW COLOR"
 T45FSS- CABLE RANGE UP TO 4/0
 MAX. 600 VOLTS 400 AMPS
 TORQUE VALUE FOR 1/2"-13 NUT @ 400IN/LBS
 RATING TYPE "4X"



PART#'S THIS PRINT REPRESENTS:
 T45F-BLK
 T45F-BLUE
 T45F-GRN
 T45F-RED
 T45F-WHT
 T45F-ORG "NEW COLOR"
 T45F-BRN "NEW COLOR"
 T45F-YLW "NEW COLOR"
 T45F- CABLE RANGE 2/0 TO 4/0
 MAX. 600 VOLTS 400 AMPS
 TORQUE VALUE FOR 1/2"-20 SET SCREW @ 400IN/LBS
 RATING TYPE "4X"

(COLOR)
 BLACK,BLUE,GREEN,RED,WHITE
 ORANGE,BROWN,YELLOW

TITLE: **T45F-(COLOR)**
T45FSS-(COLOR)

SIZE	DWG. NO.	REV
B	9	