

T45MSS- BOM Table			
ITEM NO.	PART NUMBER	DESCRIPTION	QTY.
1	TN45MRB	Male body(RD-4197-70)	1
3	T41 Mount	.25"X.45" BRASS SLEEVE MOLDED TO BOOT	4
5	12X20X716	1/2"x20x7/16" stainless set screw	2
6	CS1502	Copper shim 1.5"x3"x.005	1
7	CW1406	Copper strain relief 6"x.065	1
8	T45MSS-brass	one piece male contact(360 brass)	



GLOBETRON

ALL FACE DIMENSIONS & TOLORANCES ARE THE SAME AS DWG#1 AND COMPLY WITH FIGURE B1.2 OF CSA C22.2 NO. 1691-12 UL 1691

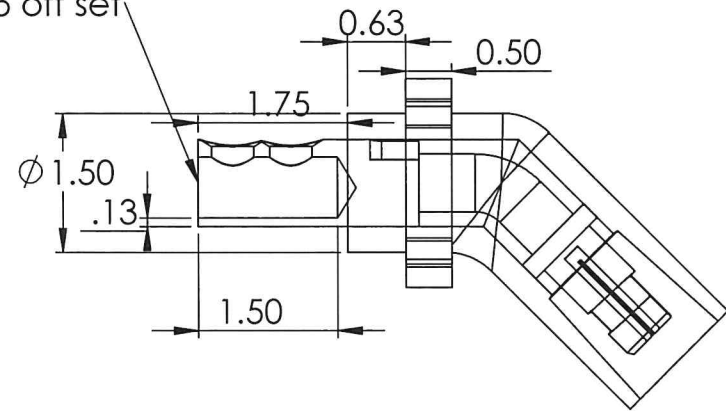
T45M- BOM Table			
ITEM NO.	PART NUMBER	DESCRIPTION	QTY.
1	TN45MRB	Male body(RD-4197-70)	1
2	T41 Mount	.25"X.45" BRASS SLEEVE MOLDED TO BOOT	4
3	T41-NUT	1/2" X13 BRASS NUT	1
4	T41-WASHER	1/2"- BRONZE LOCK WASHER	1
5	T45M-brass	one piece male contact(360 brass)	

ITEM#7

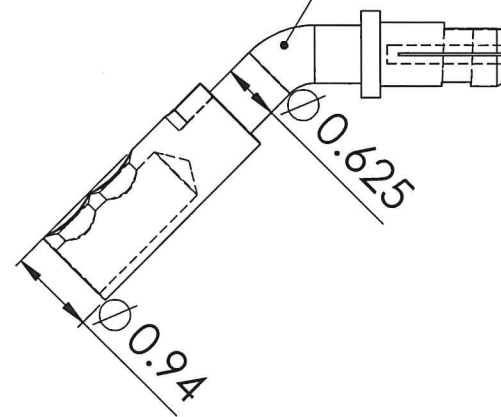
ITEM#5

ITEM#6

.625 Drill
.05 off set



New one piece solid contact



PART#'S THIS PRINT REPRESENTS:

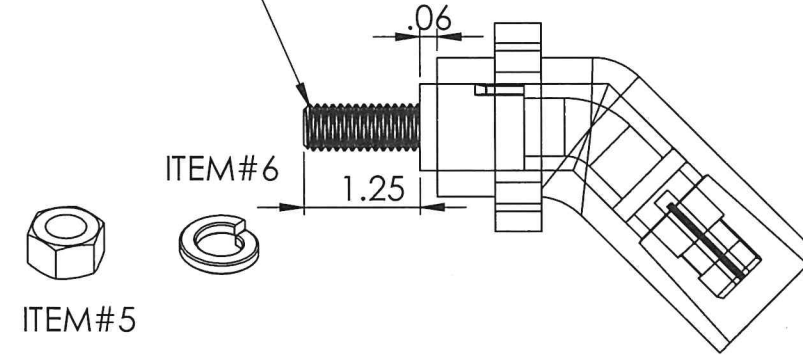
- T45MSS-BLK
- T45MSS-BLUE
- T45MSS-GRN
- T45MSS-RED
- T45MSS-WHT
- T45MSS-ORG "NEW COLOR"
- T45MSS-BRN "NEW COLOR"
- T45MSS-YLW "NEW COLOR"

T45MSS- CABLE RANGE 2/0-4/0
MAX 600 VOLTS 400 AMPS
TORQUE VALUE FOR 1/2"-20 SET SCREWS @ 400IN/LBS
RATING TYPE "4X"

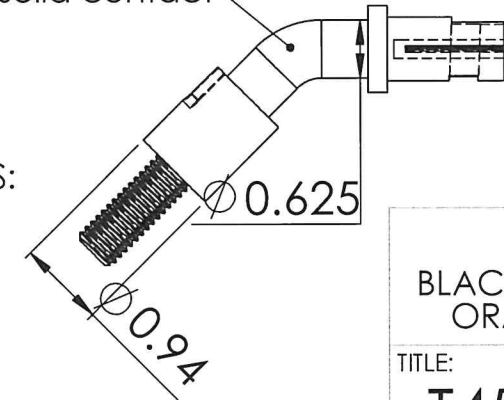
1/2"x13 thread

ITEM#5

ITEM#6



New one piece solid contact

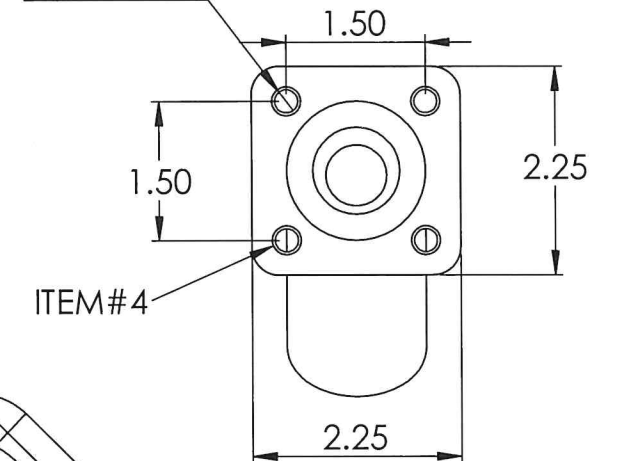


PART#'S THIS PRINT REPRESENTS:

- T45M-BLK
- T45M-BLUE
- T45M-GRN
- T45M-RED
- T45M-WHT
- T45M-ORG "NEW COLOR"
- T45M-BRN "NEW COLOR"
- T45M-YLW "NEW COLOR"

T45MSS- CABLE RANGE UP TO 4/0
MAX 600 VOLTS 400 AMPS
TORQUE VALUE FOR 1/2"-13 NUT @ 400IN/LBS
RATING TYPE "4X"

Ø0.25 X4



ITEM#4

(COLOR)
BLACK, BLUE, GREEN, RED, WHITE
ORANGE BROWN, YELLOW

TITLE:
T45M-(COLOR)
T45MSS-(COLOR)

SIZE	DWG. NO.	REV
B	10	

SCALE: 1:2 WEIGHT: SHEET 1 OF 1