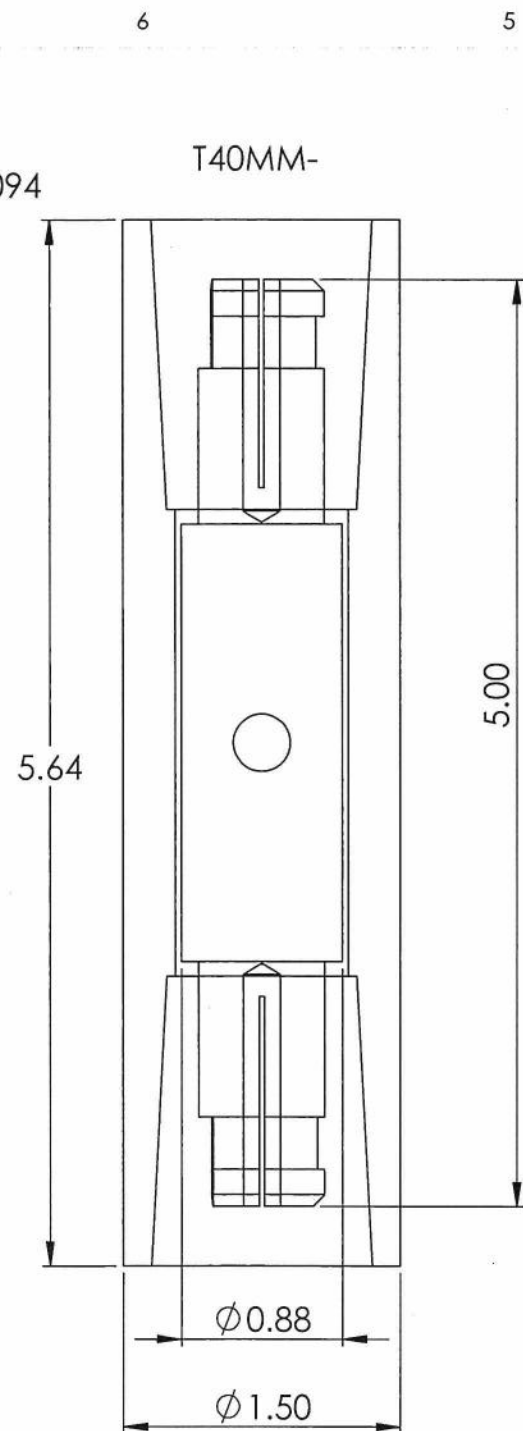
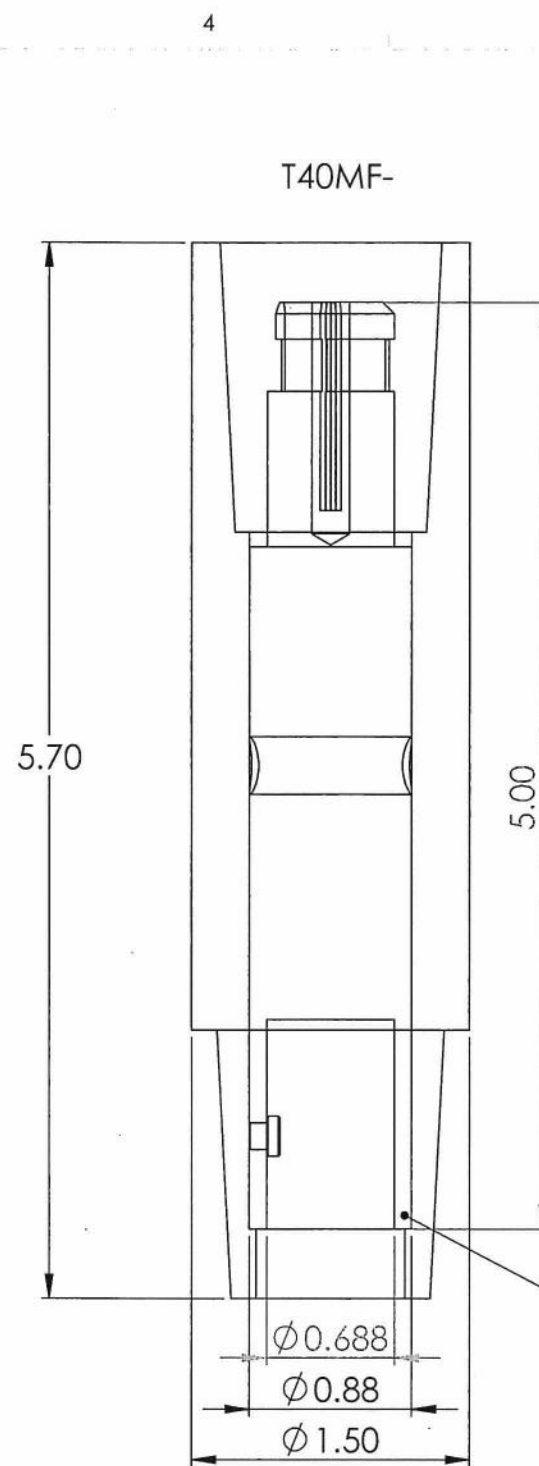


PART#'S THIS PRINT REPRESENTS:
 T40FF-BLK
 T40FF-BLUE
 T40FF-GRN
 T40FF-RED
 T40FF-WHT
 T40FF-ORG "NEW COLOR"
 T40FF-BRN "NEW COLOR"
 T40FF-YLW "NEW COLOR"
 RATING TYPE "4X"



PART#'S THIS PRINT REPRESENTS:
 T40MM-BLK
 T40MM-BLUE
 T40MM-GRN
 T40MM-RED
 T40MM-WHT
 T40MM-ORG "NEW COLOR"
 T40MM-BRN "NEW COLOR"
 T40MM-YLW "NEW COLOR"
 RATING TYPE "4X"



PART#'S THIS PRINT REPRESENTS:
 T40MF-BLK
 T40MF-BLUE
 T40MF-GRN
 T40MF-RED
 T40MF-WHT
 T40MF-ORG "NEW COLOR"
 T40MF-BRN "NEW COLOR"
 T40MF-YLW "NEW COLOR"
 RATING TYPE "4X"

ALL MALE & FEMALE FACE DIMENSIONS
 & TOLORANCES ARE THE SAME AS DWG#1&3
 AND COMPLY WITH FIGURE B1.2 CSA C22.2 NO.1691-12
 UL 1691

MAX: 600 VOLTS 400 AMPS



GLOBETRON

(COLOR)
 BLACK, BLUE, GREEN, RED
 WHITE, ORANGE, BROWN, YELLOW
 TITLE: T40MM-(COLOR)
 T40FF-(COLOR)
 T40MF-(COLOR)

SIZE DWG. NO. 8 REV
 SCALE: 1:1 SHEET 1 OF 1