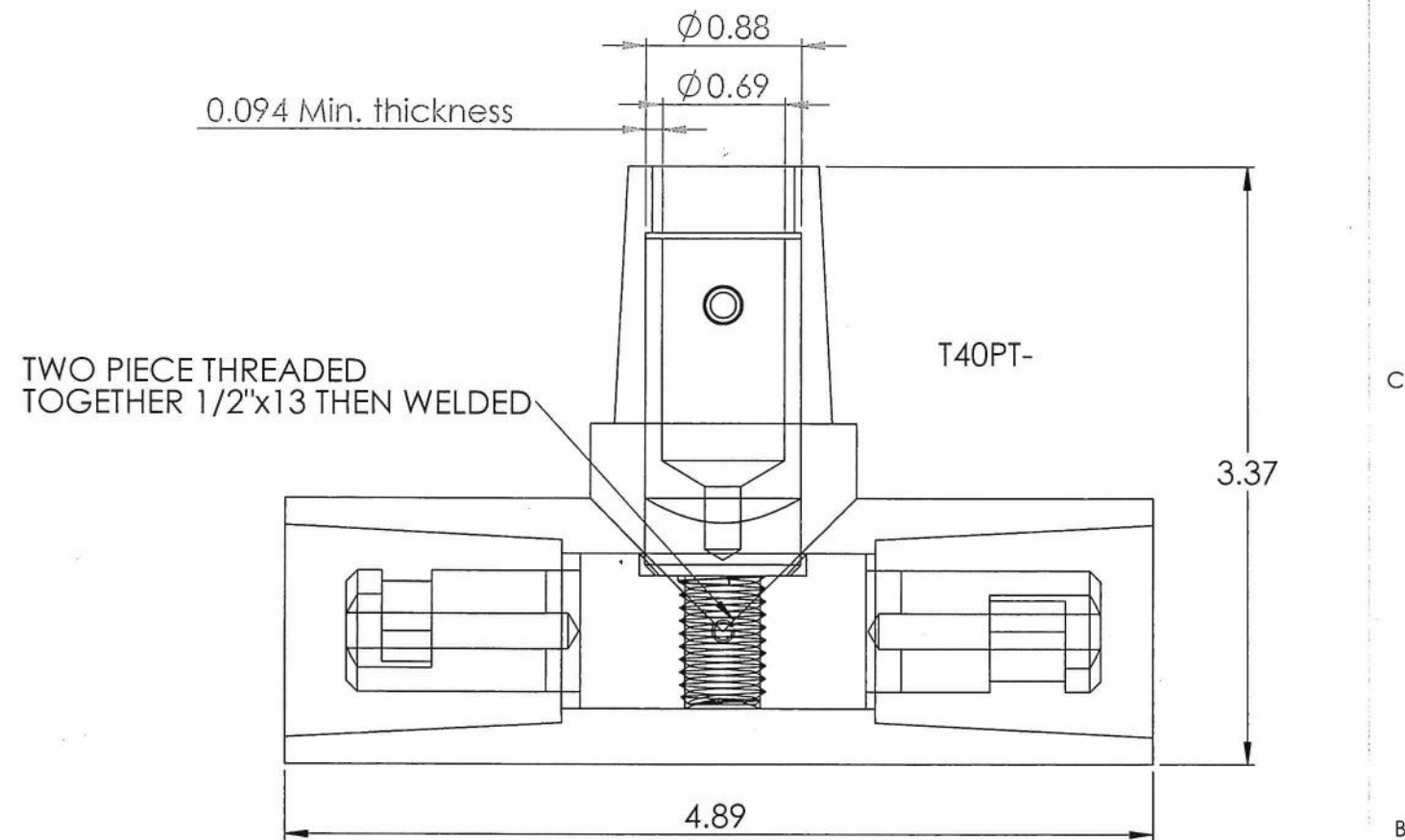
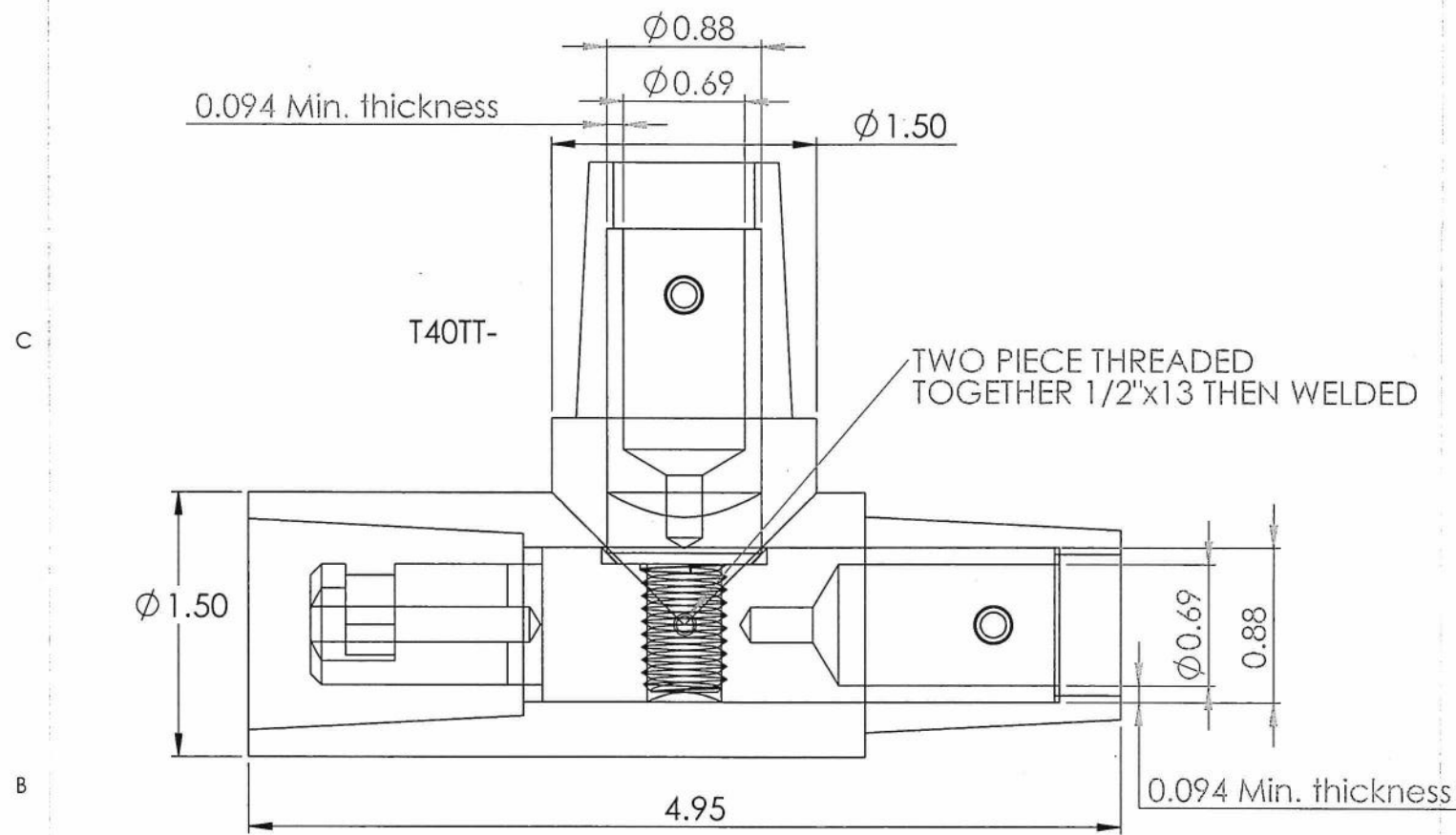


T40TT-(COLOR) BOM Table			
ITEM NO.	PART NUMBER	DESCRIPTION	QTY.
1	T40TTRB	T40TT RUBBER BODY(RD4197-70)	1
2	TN40TTCO	.875 BRASS CONTACT(360 BRASS)	1
3	42896NS	Brass button	2

T40PT-(COLOR)BOM Table			
ITEM NO.	PART NUMBER	DESCRIPTION	QTY.
1	T40PTRB	T40PT RUBBER BODY(RD4197-70)	1
2	TN40PTCO	.875 BRASS CONTACT(360 BRASS)	1
3	42896NS	Brass button	1



PART#'S THIS PRINT REPRESENTS:
T40TT-BLK
T40TT-BLUE
T40TTGRN
T40TT-RED
T40TT-WHT
T40TT-ORG "NEW COLOR"
T40TT-BRN "NEW COLOR"
T40TT-YLW "NEW COLOR"
RATING TYPE "4X"
MAX 600 VOLTS 400 AMPS

PART#'S THIS PRINT REPRESENTS:
T40PT-BLK
T40PT-BLUE
T40PTGRN
T40PT-RED
T40PT-WHT
T40PT-ORG "NEW COLOR"
T40PT-BRN "NEW COLOR"
T40PT-YLW "NEW COLOR"
RATING TYPE "4X"
MAX 600 VOLTS 400 AMPS

(COLOR)
BLACK, BLUE, GREEN, RED
WHITE, ORANGE, BROWN, YELLOW

TITLE:
T40TT-(COLOR)
T40PT-(COLOR)

SIZE **B** DWG. NO. 7 REV 1
SCALE: 1:1 SHEET 1 OF 1

ALL FACE DIMENSIONS & TOLORANCES
ARE THE SAME AS DWG# 1&3 AND COMPLY
WITH FIGURE B1.2 OF CSA C22.2 NO. 1691-12
UL 1691

